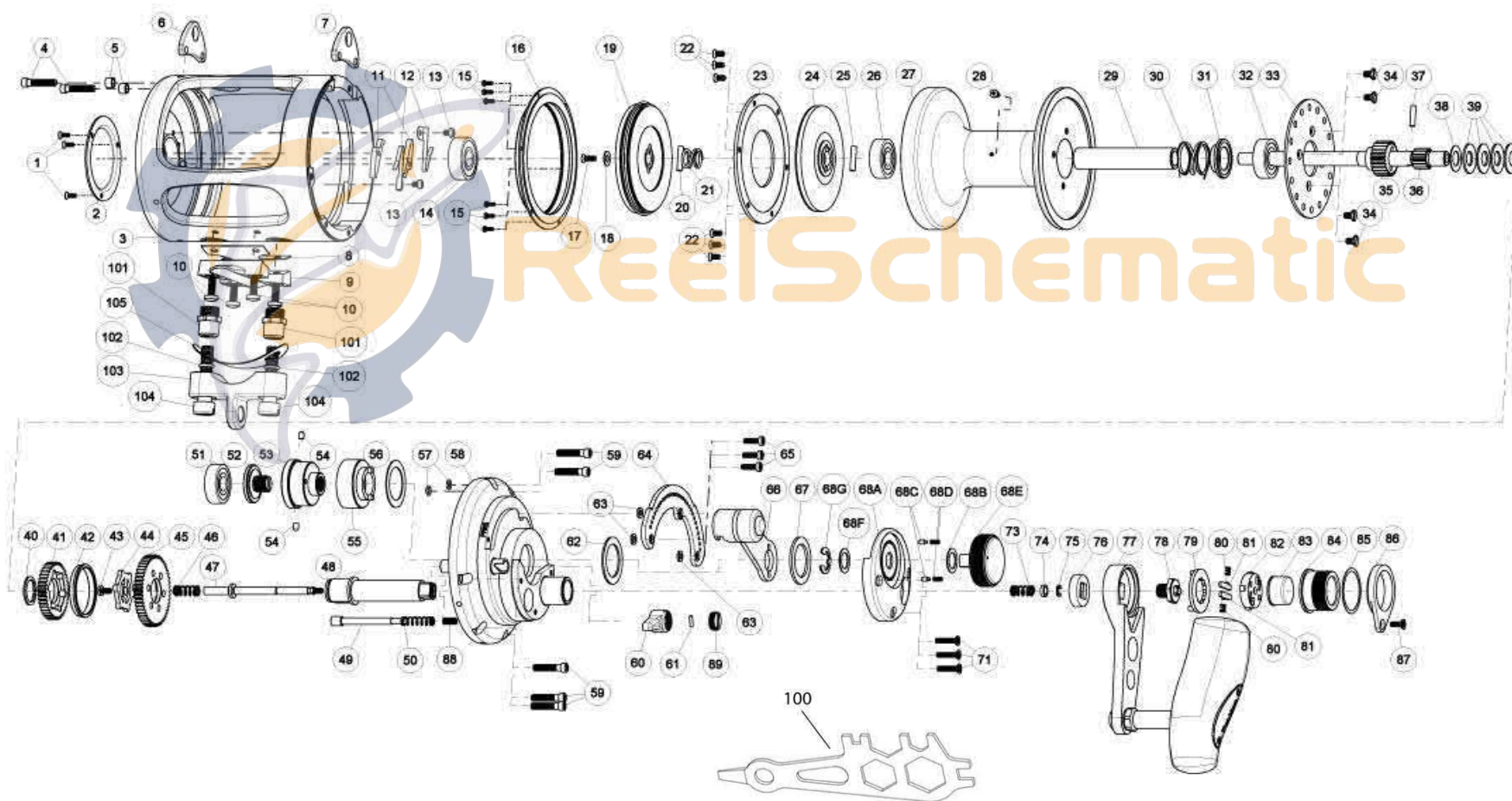


# FIN-NOR®

LEGENDARY TACKLE SINCE 1933

## Santiago 50W



# FIN-NOR®

LEGENDARY TACKLE SINCE 1933

## Santiago 50W

### Fin\_Nor Santiago Trolling Reels - 50W

Key No.	Description	50W	Key No.	Description	50W
1	Cosmetic Cover Screw	HX107-03	51	Ball Bearing	MF017-01
2	Cosmetic Cover	LF145-01	52	Preset Screw	EF019-01
3	Frame Assembly	EF301-01	53	Cam Follower	EF153-01
4	Harness Lug Screw	LF053-01	54	Cam Pin	EF093-01
5	Harness Lug Screw Collar	LF094-01	55	Cam	EF028-01
6	Harness Lug	EF151-02	56	Washer	EF035-03
7	Harness Lug	EF151-01	57	O-Ring	MF101-01
8	Reel Foot Gasket	LF155-01	58	Gear Side Cover Assembly	EF324-01
9	Reel Foot	LF106-01	59	Side Cover Screw	LF053-01
10	Reel Foot Screw	LF125-01	60	Bait Click Lever	VF109-01
11	Anti Reverse Pawl	LF063-01	61	Bait Click Pawl Pin	WF100-01
12	Anti Reverse Pawl Spring	LF052-01	62	Drag Lever Washer	EF035-01
13	Anti Reverse Pawl Screw	LF050-01	63	Quadrant Spacer	MF094-01
14	Ball Bearing	MF017-01	64	Quadrant	EF152-01
15	Spool Cover Screw	LF057-01	65	Quadrant Screw	LF123-01
16	Spool Cover	EF051-01	66	Drag Lever Assy	EF355-01
17	Spool Shaft Screw	LF107-02	67	Washer	EF035-02
18	Spool Shaft Washer	MF038-01	68	Front Housing Cover Kit include	EF499-01
19	Drag Plate Assembly -"B"	EF348-01		68A - Front Housing Cover	EF099-01
20	Drag Plate Pin	LF100-01		68B - Washer	LF038-01
21	Drag Compression Spring	EF040-01		68C - Pre Set Knob Click Pawl	PW098-01
22	Drag Washer Screw	LF107-01		68D - Pre Set Knob Click Spring	YW114-01
23	Drag Washer	EF045-01		68E - Preset Knob	LF029-01
24	Drag Plate Assembly -"A"	FF348-01		68F - Washer	LF038-01
25	Drag Plate Pin	EF100-01		68G - E-Clip	LF092-01
26	Ball Bearing	MF017-01	71	Front Housing Cover Screw	MF050-01
27	Spool	EF021-01	73	Link Spring	LF070-01
28	Line Ting Screw	NF125-01	74	Link Spring Holder	MF081-01
29	Bearing Spacer	FF160-01	75	E-Clip	QW120-01
30	Pressure Release Spring	MF040-01	76	Handle Collar	LF081-01
31	Pressure Release Spring Holder	EF041-01	77	Handle Assembly	EF318-02
32	Ball Bearing	MF017-01	78	Handle Nut	MF003-01
33	Bait Click Plate	EF113-01	79	Handle Nut Retainer	LF034-01
34	Bait Click Plate Screw	MF107-01	80	Shift Spring	MF070-01
35	Low Speed Pinion Gear	EF011-01	81	Shift Holder	LF104-01
36	Spool Shaft	EF015-01	82	Shift Spring Holder	MF159-01
37	Pinion Gear Pin	FF093-01	83	Shift Button	MF062-01
38	Drag Adjusting Washer	EF032-03	84	Shift Knob	LF158-01
39	Drag Disc Spring	EF046-01	85	Washer	MF035-01
40	Retaining Ring	LF075-01	86	Shift Knob Holder	LF159-01
41	Low Speed Drive Gear	FF012-01	87	Shift Knob Holder Screw	MF076-01
42	Gear Spacer	EF160-01	88	Bait Click Lever Spring	JF071-01
43	Link Retainer Screw	MF053-01	89	Bait Click Lever Cap	VF115-01
44	Link	EF036-01	100	Wrench	DA113-01
45	High Speed Drive Gear	EF012-01	101	Rod Clamp Nut	LF003-01
46	Link Spring	LF070-01	102	O-Ring	LF101-01
47	Link Shaft	EF146-01	103	Rod Clamp	GF154-01
48	Crank Shaft	EF008-01	104	Rod Clamp Bolt	MF125-02
49	Bait Click Pawl	EF114-01	105	Rod Clamp Pad	NF155-01
50	Bait Click Spring	LF110-01			